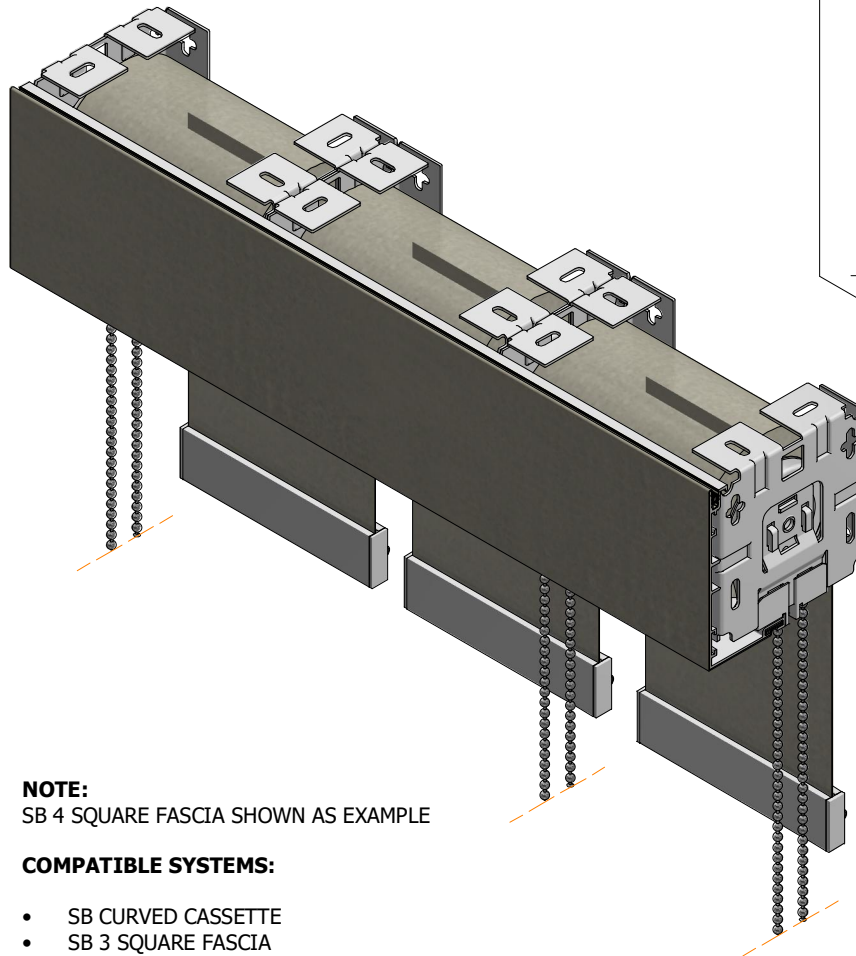




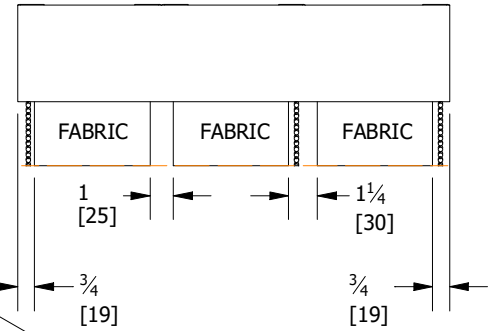
# ROLLER SHADE SYSTEM SB MULTI IN ONE

## FEATURES AND BENEFITS

All Dimensions Are In Inches [mm]



### LIGHT GAPS (APPROXIMATE)



\*DIMENSIONS VARY AT ± 1 / 8 [3] BASED ON SYSTEM TYPE\*

**NOTE:**  
SB 4 SQUARE FASCIA SHOWN AS EXAMPLE

**COMPATIBLE SYSTEMS:**

- SB CURVED CASSETTE
- SB 3 SQUARE FASCIA
- SB 4 SQUARE FASCIA
- SB DUAL CURVED CASSETTE

**BRACKET, FASCIA AND CASSETTE COLOURS:**



FEATURES		BENEFITS	
Operate Multiple Shades With Individual Control		Allows a group of shades to be driven individually under a single cassette, using chain, motor or zero gravity. Each shade can be positioned to be driven by the left or the right.	
Perfectly Aligned Shades		Align the bottom bars at the same upper and lower stopping positions.	
Single Valance Options		Using a single valance provides a clean look without any separation lines. Mounting brackets for SB Curved Cassette, SB 3 Square Fascia, SB 4 Square Fascia and SB Dual Curved Cassette, can be used with their respected valances without additional hardware.	
SCALE:	1 / 3.5	DWG.#:	MIO-F&B-SB-01
DATE:	13/07/2020	REV:	2
DWG.BY:	M.E.		



# ROLLER SHADE SYSTEM

## SB MULTI IN ONE

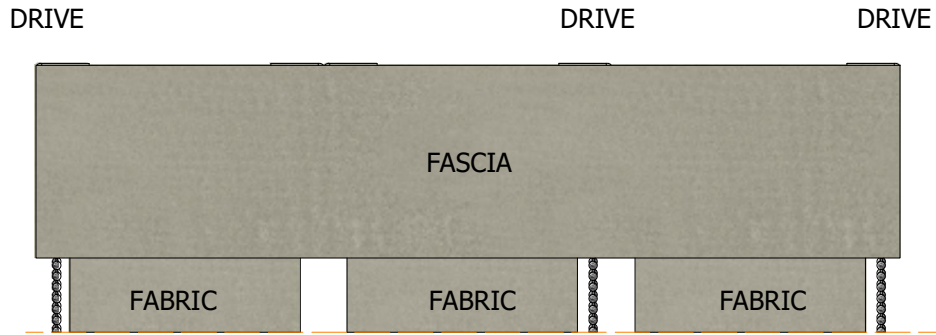
### CONFIGURATIONS

All Dimensions Are In Inches [mm]

TOP VIEW



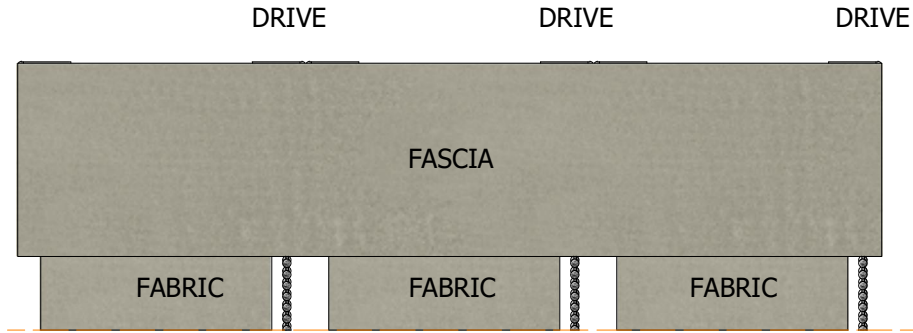
FRONT VIEW



TOP VIEW



FRONT VIEW



- MAXIMUM AMOUNT OF SHADES = 5

SCALE:	1 / 4	DWG.#:	MIO-CO-SB-01	DATE:	13/07/2020	REV:	2	DWG.BY:	M.E.
--------	-------	--------	--------------	-------	------------	------	---	---------	------

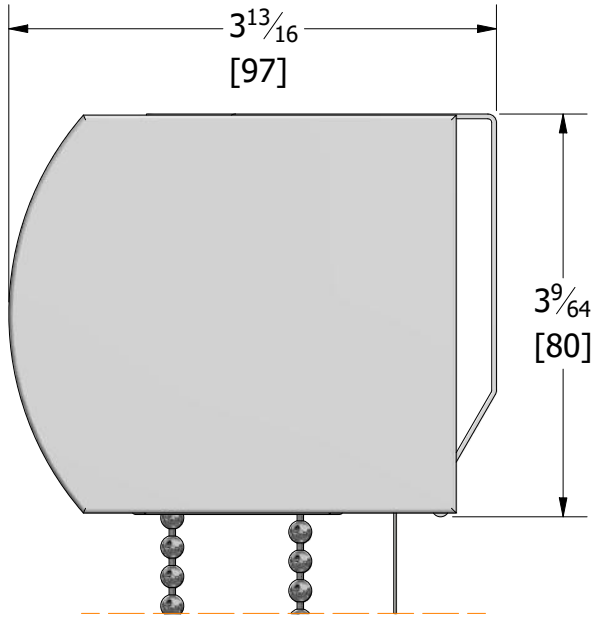


# ROLLER SHADE SYSTEM SB MULTI IN ONE

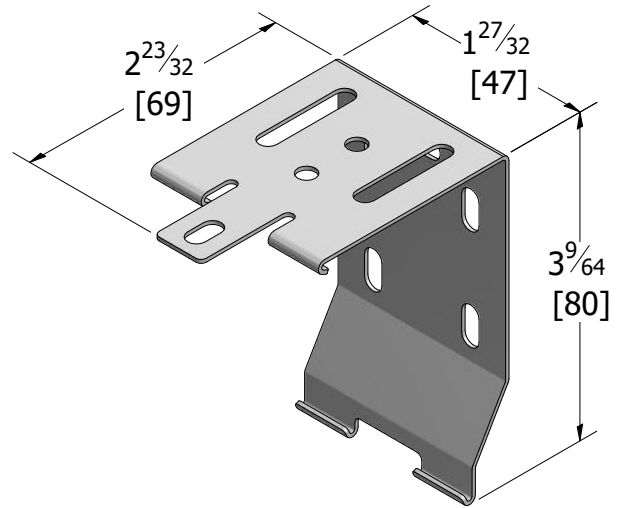
## MEASUREMENTS AND SIZES

All Dimensions Are In Inches [mm]

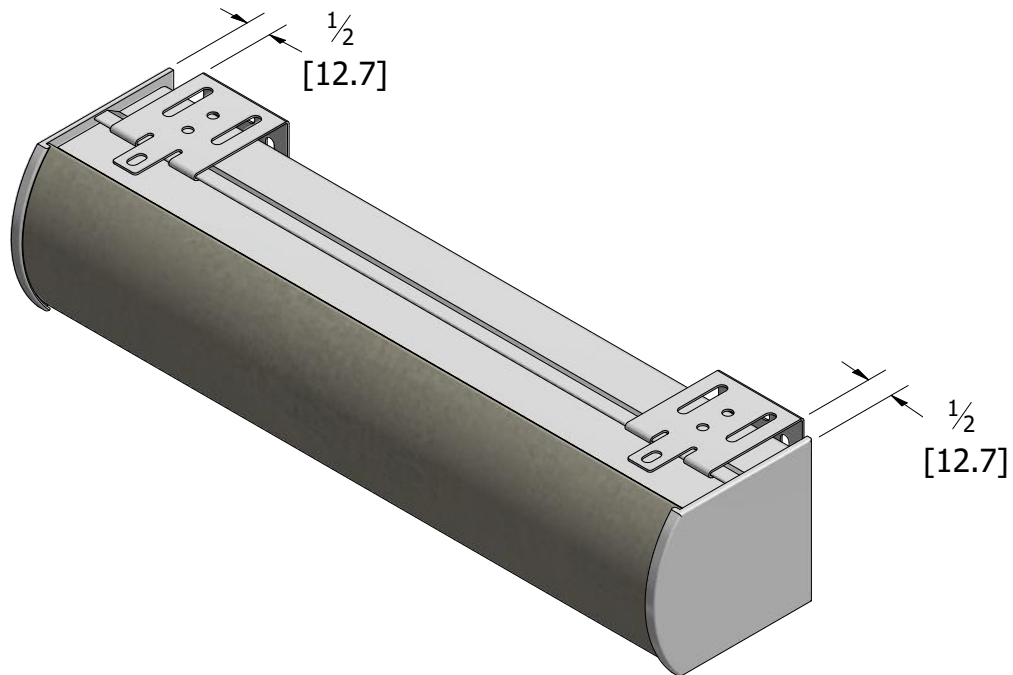
SIDE VIEW



MOUNTING BRACKET



BRACKET SPACING



SCALE:	1 : 3	DWG.#:	MIO-M&S-SB-01	DATE:	09/04/2020	REV:	1	DWG.BY:	M.E.
--------	-------	--------	---------------	-------	------------	------	---	---------	------

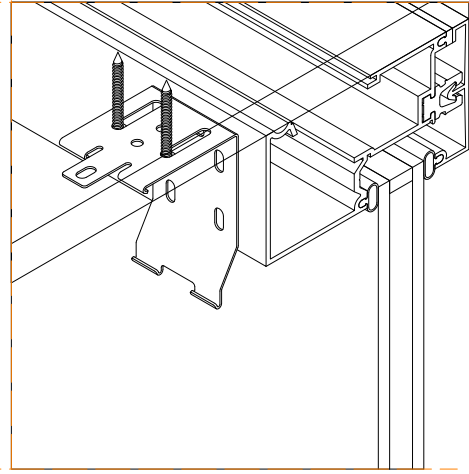
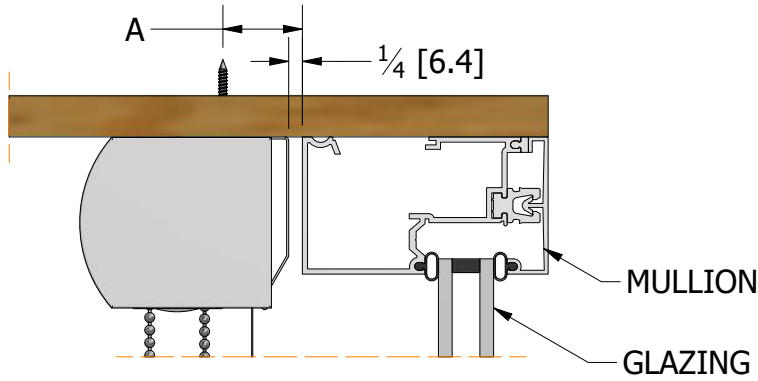


# ROLLER SHADE SYSTEM SB MULTI IN ONE

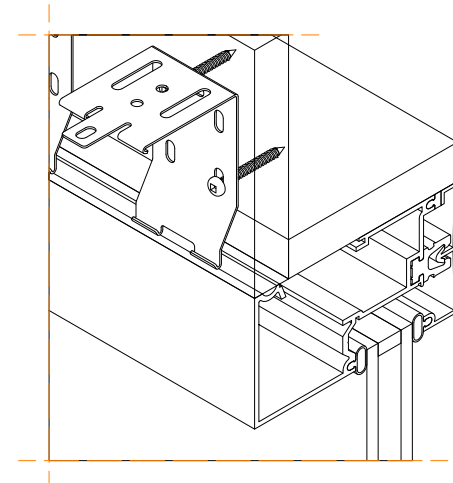
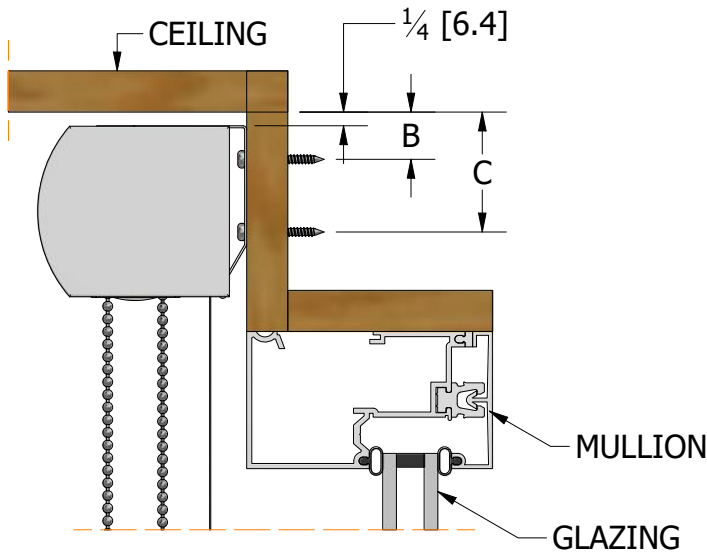
## MOUNTING DETAILS

All Dimensions Are In Inches [mm]

CEILING MOUNT VIEW



WALL MOUNT VIEW



A = MEASUREMENT FROM WALL FACE TO FURTHEST SCREW  
 B = MEASUREMENT FROM CEILING FACE TO NEAREST SCREW  
 C = MEASUREMENT FROM CEILING FACE TO FURTHEST SCREW

### Mounting Brackets Considered

System	Bracket Type	A	B	C
SB Curved Cassette	1.6 [40] Slimline Bracket	1 3/8 [34.9]	7/8 [22.2]	2 1/8 [54]

SCALE:	1 / 3.5	DWG.#:	MIO-MD-SB-01	DATE:	09/04/2020	REV:	1	DWG.BY:	M.E.
--------	---------	--------	--------------	-------	------------	------	---	---------	------



# ROLLER SHADE SYSTEM

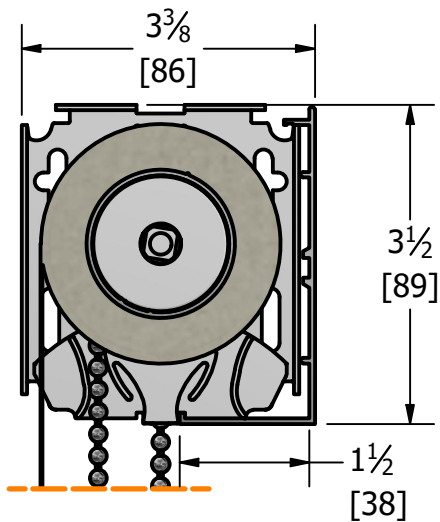
## SB MULTI IN ONE

### MEASUREMENTS AND SIZES

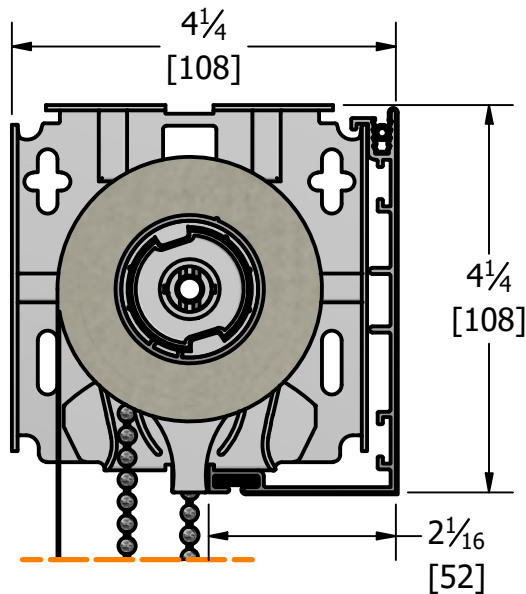
All Dimensions Are In Inches [mm]

#### FASCIA SIZES

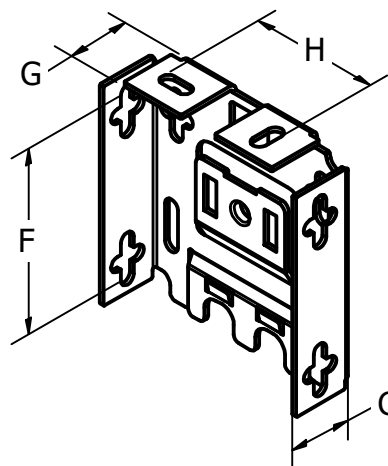
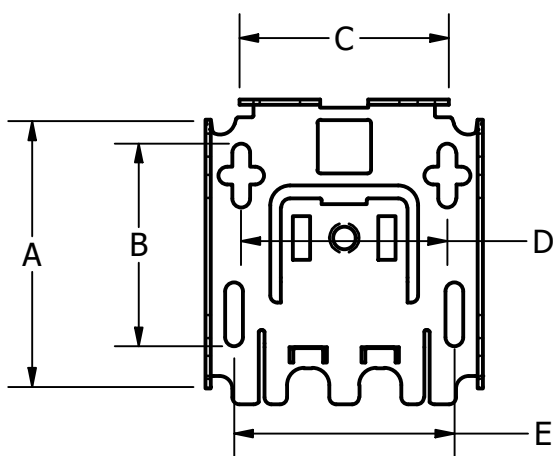
SB 3 SQUARE FASCIA  
SIDE VIEW



SB 4 SQUARE FASCIA  
SIDE VIEW



#### BRACKET MEASUREMENTS



System	Bracket Type	A	B	C	D	E	F	G	H
SB 3 Square Fascia	3.125 [80] End Bracket	3 [76.2]	2 1/4 [57]	2 3/8 [60.3]	2 5/16 [58.7]	2 1/2 [63.5]	2 9/16 [65.1]	7/8 [22.2]	1 3/4 [44.5]
SB 4 Square Fascia	4 [100] End Bracket	3 11/16 [93.7]	2 3/4 [70]	3 1/4 [82.6]	3 3/16 [81]	3 3/16 [81]	3 1/8 [79.4]	1 3/16 [30.2]	2 1/4 [57]

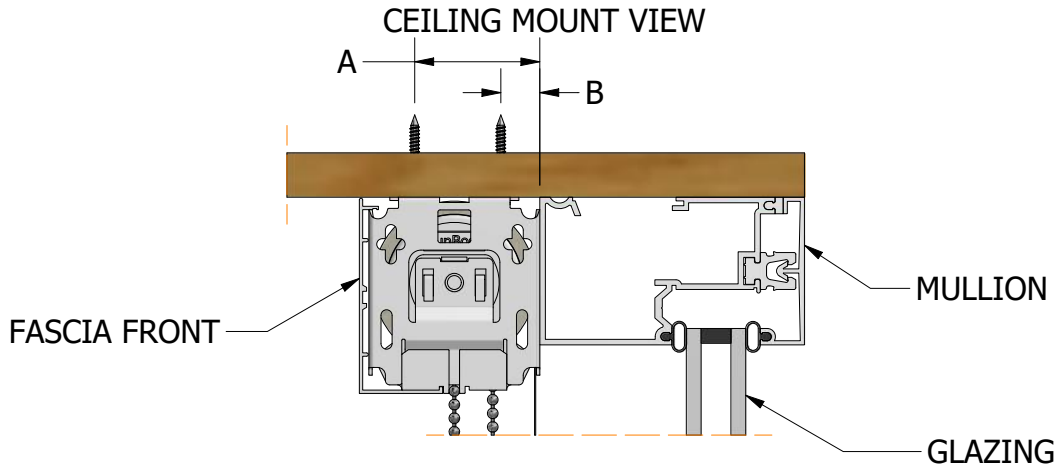
SCALE:	1 / 2	DWG.#:	MIO-M&S-SB-02	DATE:	09/06/2020	REV:	2	DWG.BY:	M.E.
--------	-------	--------	---------------	-------	------------	------	---	---------	------



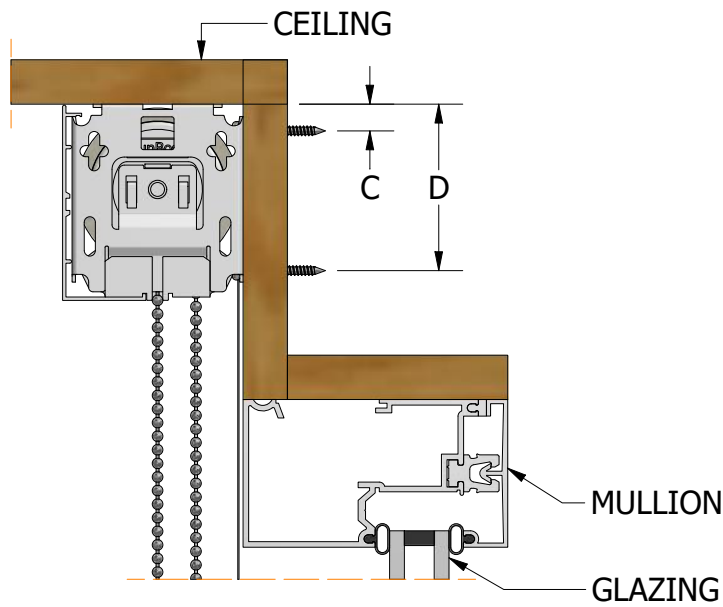
# ROLLER SHADE SYSTEM SB MULTI IN ONE

## MOUNTING DETAILS

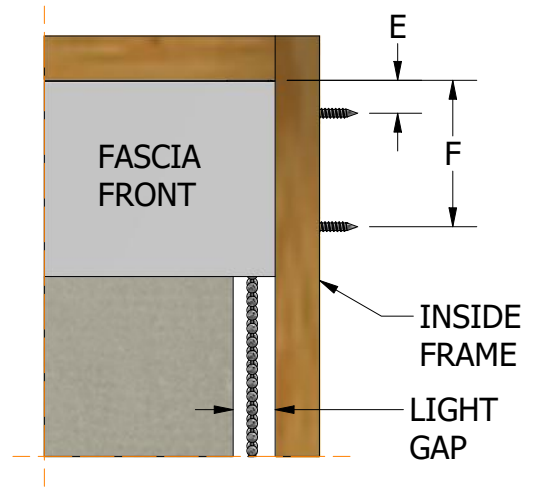
All Dimensions Are In Inches [mm]



WALL MOUNT VIEW



LATERAL MOUNT VIEW



A = MEASUREMENT FROM WALL FACE TO FURTHEST SCREW  
D = MEASUREMENT FROM CEILING FACE TO FURTHEST SCREW  
F = MEASUREMENT FROM CEILING FACE TO FURTHEST SCREW

**\*COVERS CANNOT BE USED FOR LATERAL MOUNT APPLICATIONS\***

Fascia Front & Mounting Brackets Considered

System	Bracket Type	A	B	C	D	E	F
SB 3 Square Fascia	3.125 [80] End Bracket	2 1/4 [57.2]	27/32 [21.4]	1/2 [12.7]	3 [76.2]	11/16 [17.5]	2 9/16 [65.1]
SB 4 Square Fascia	4 [100] End Bracket	2 15/16 [74.6]	1 1/16 [27]	1/2 [12.7]	3 5/8 [92.1]	11/16 [17.5]	3 1/8 [79.4]

SCALE:	1 / 3.25	DWG.#:	MIO-MD-SB-02	DATE:	09/04/2020	REV:	1	DWG.BY:	M.E.
--------	----------	--------	--------------	-------	------------	------	---	---------	------

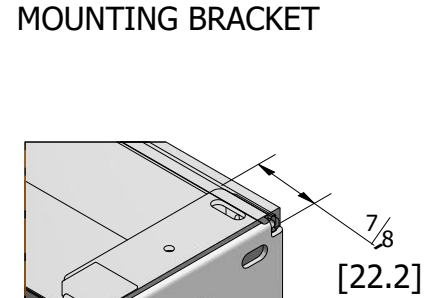
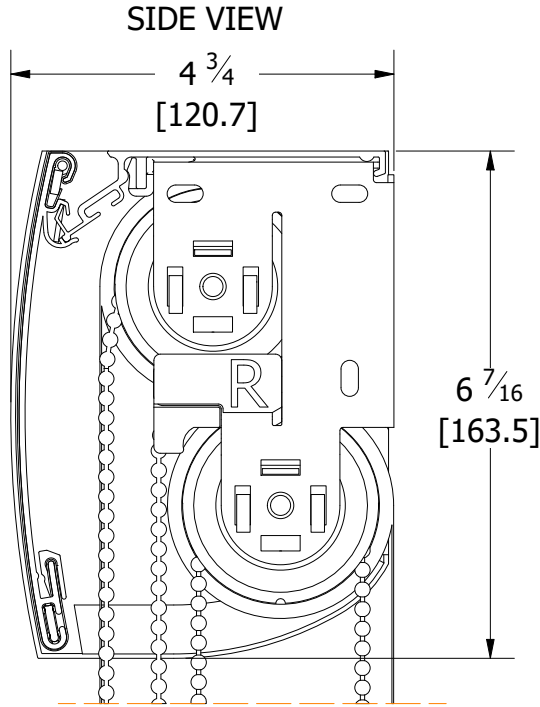




# ROLLER SHADE SYSTEM SB MULTI IN ONE

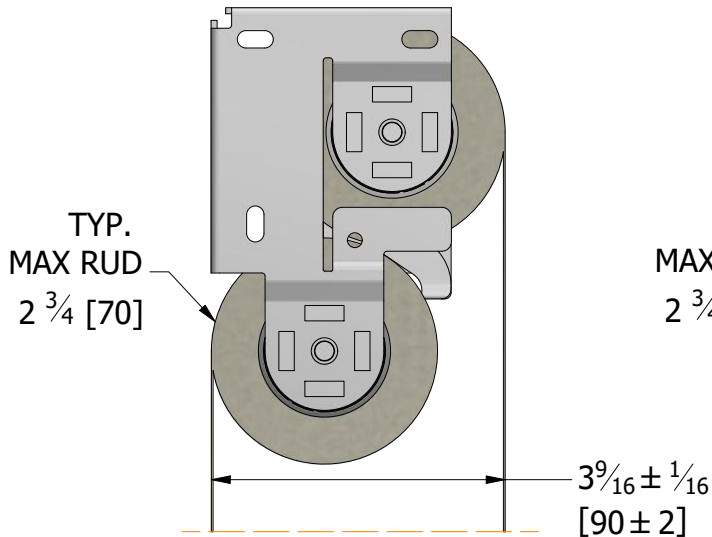
## MEASUREMENTS AND SIZES

All Dimensions Are In Inches [mm]

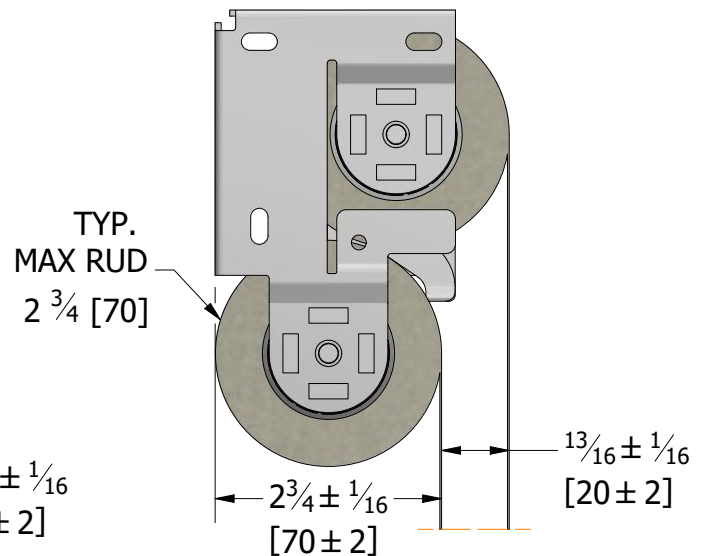


\*TOP EXTRUSION IS PROVIDED WITH PRE-DRILLED MOUNTING HOLES\*

**FRONT SHADE - REVERSE ROLL  
BACK SHADE - REGULAR ROLL**



**FRONT SHADE - REVERSE ROLL  
BACK SHADE - REVERSE ROLL**



SCALE:	1 / 2.25	DWG.#:	MIO-CC-M&S-SB-03	DATE:	09/04/2020	REV:	1	DWG.BY:	M.E.
--------	----------	--------	------------------	-------	------------	------	---	---------	------

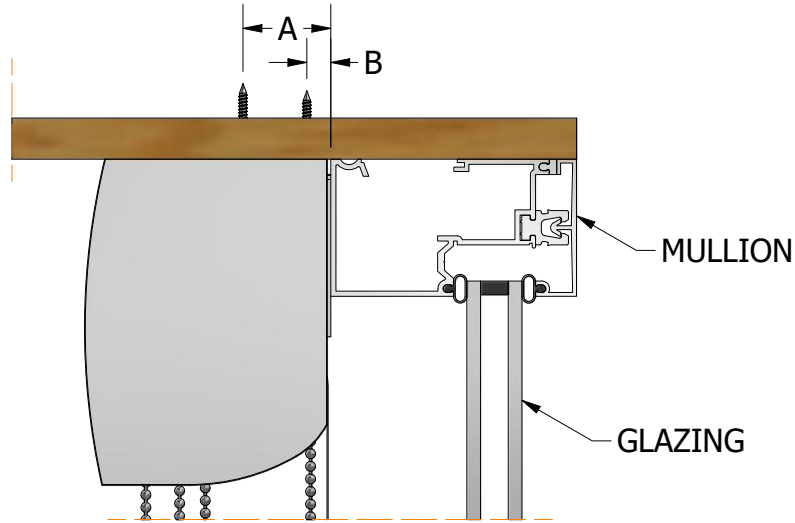


# ROLLER SHADE SYSTEM SB MULTI IN ONE

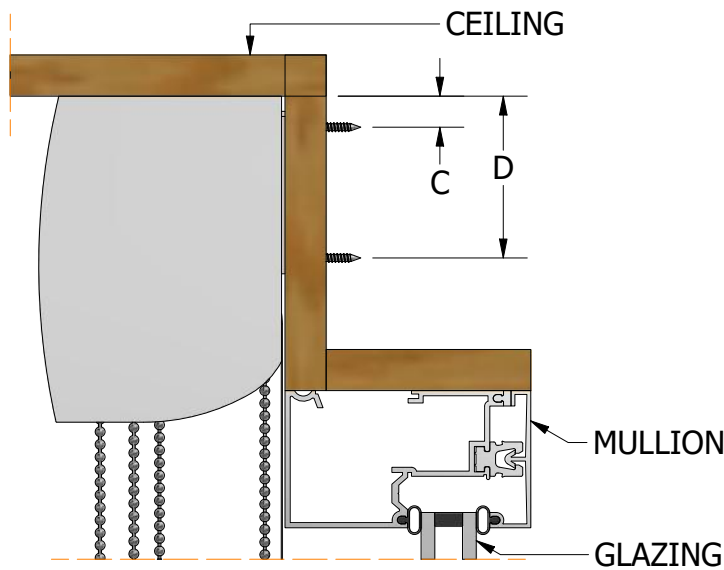
## MOUNTING DETAILS

All Dimensions Are In Inches [mm]

CEILING MOUNT VIEW

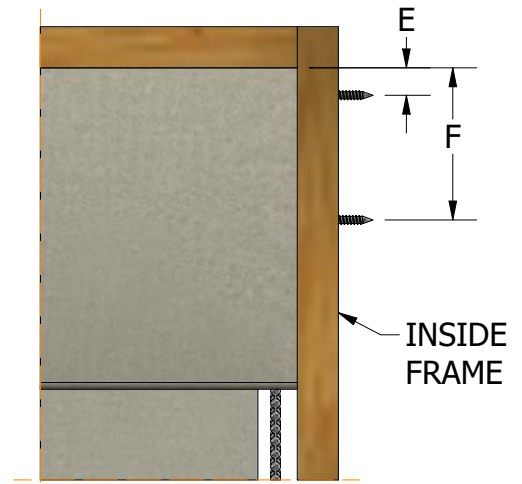


WALL MOUNT VIEW



A = MEASUREMENT FROM WALL FACE TO FURTHEST SCREW  
D = MEASUREMENT FROM CEILING FACE TO FURTHEST SCREW  
F = MEASUREMENT FROM CEILING FACE TO FURTHEST SCREW

LATERAL MOUNT VIEW



**\*COVERS CANNOT BE USED FOR LATERAL MOUNT APPLICATIONS\***

Cassette Front & Mounting Brackets Considered

System	Bracket Type	A	B	C	D	E	F		
SB Dual Curved Cassette	Double Vertical Compact Bracket	1 5/8 [41.3]	5/8 [15.9]	5/8 [15.9]	3 [76.2]	3/8 [9.5]	2 3/4 [69.9]		
SCALE:	1 : 3.5	DWG.#:	MIO-CC-MD-SB-03	DATE:	09/04/2020	REV:	1	DWG.BY:	M.E.